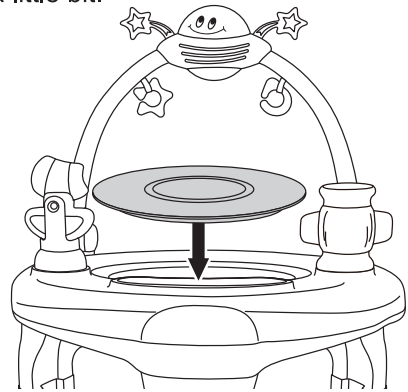
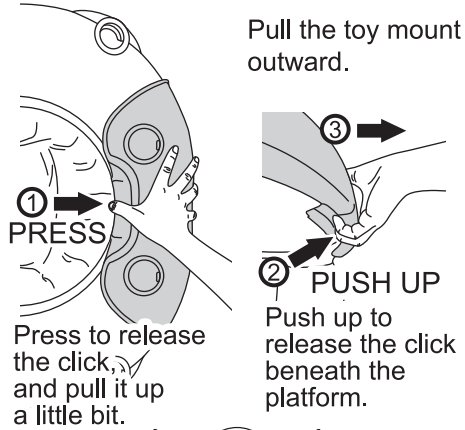


INSTRUCTION

12 TO ASSEMBLE THE COVER ONTO THE PLATFORM.

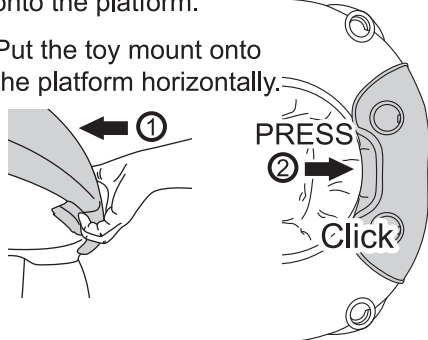
To remove the toy mount from the platform.



Supplement Information:

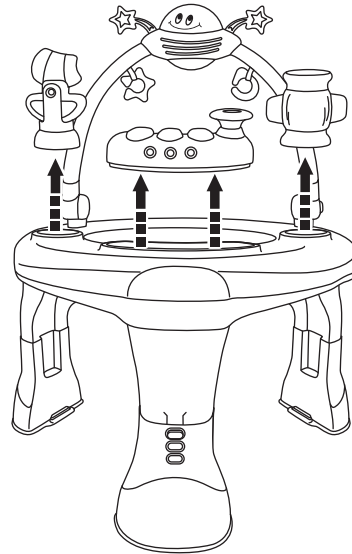
To assemble the toy mount onto the platform.

Put the toy mount onto the platform horizontally.

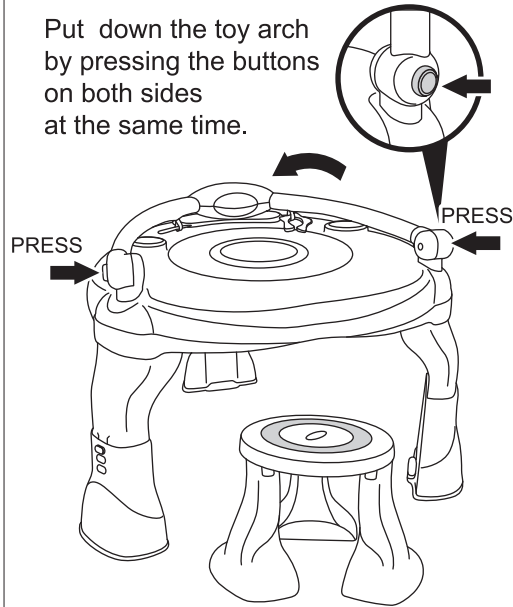


13 PLAY TABLE

Remove the toys.



Put down the toy arch by pressing the buttons on both sides at the same time.



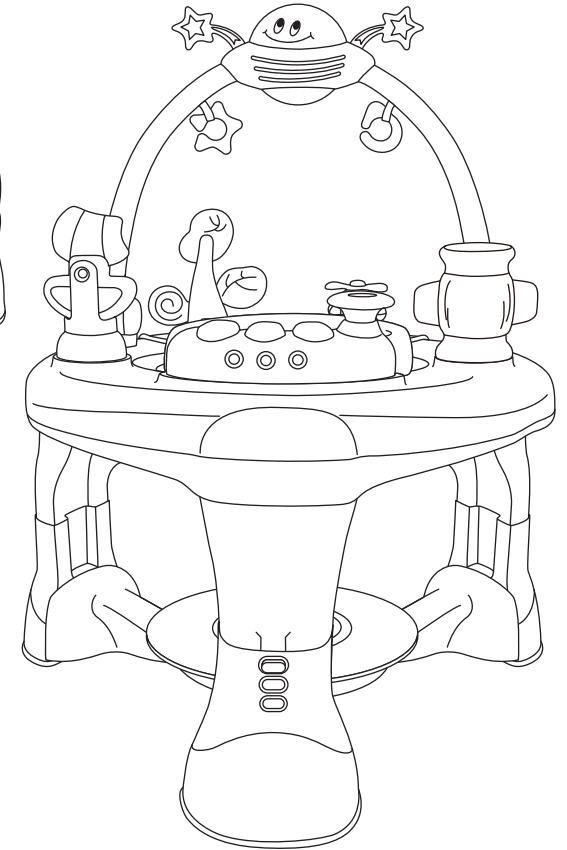
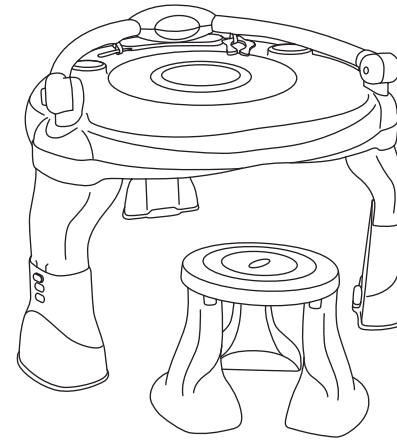
MADE IN TAIWAN

INSTRUCTION MANUAL

Spin & Jump Multi Function Activity Center

Grow With Kids

Bubbles



IMPORTANT! KEEP FOR FUTURE REFERENCE

⚠️ WARNING

TO PREVENT SERIOUS INJURY OR DEATH:

Read all instructions before assembly and use of the stationary activity center.

Keep instructions for future use.

DO NOT use the stationary activity center if it is damaged or broken.

• Use the activity centre only if the child meets all of the following conditions:

— is at least four(4) months of age

— can sit up by him or herself

— is less than 30" tall (76.2cm)

— weighs less than 25 lbs. (11kg)

• DO NOT allow children who can stand or walk on their own to use the activity centre.

• DO NOT use the activity centre in dangerous conditions or situations:

• NEVER move the unit while the child is in the seat.

• It can be dangerous to allow other children to play near the activity centre.

• DO NOT add any strings or straps to any part of the activity centre.

• DO NOT use any hardware other than that supplied.

• Only use with the jump platform attached.

• The stool can support kids up to 25kg.

FALL HAZARD!

Babies can FALL from product resulting in head injuries.

• NEVER leave child unattended. ALWAYS keep child in view while in product (or product description).

• NEVER use near stairs.

• To avoid tip over, place product on a flat, level surface.

STRANGULATION HAZARD!

Strings can cause STRANGULATION.

• DO NOT place items with a string around child's neck, such as hood strings or pacifier cords.

• DO NOT suspend strings over product or attach strings to toys.

IMPORTANT

• Care should be taken in unpacking and assembly.

• Examine product frequently for damaged, missing, or loose parts.

• Read all instructions before assembly and use of the stationary activity center.

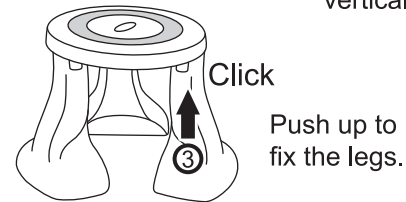
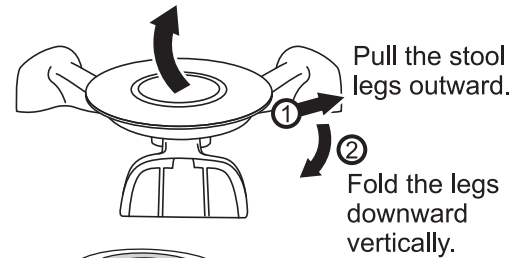
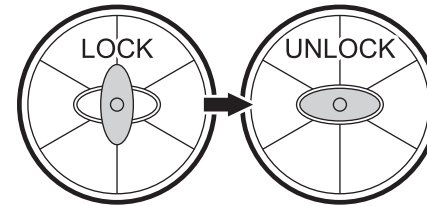
• Keep instructions for future use.

• DO NOT use the stationary activity center if it is damaged or broken.

INSTRUCTION

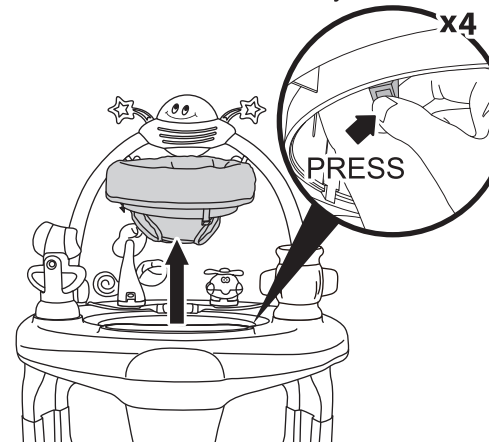
9 STOOL

Unlock first to remove the cover from the stool.

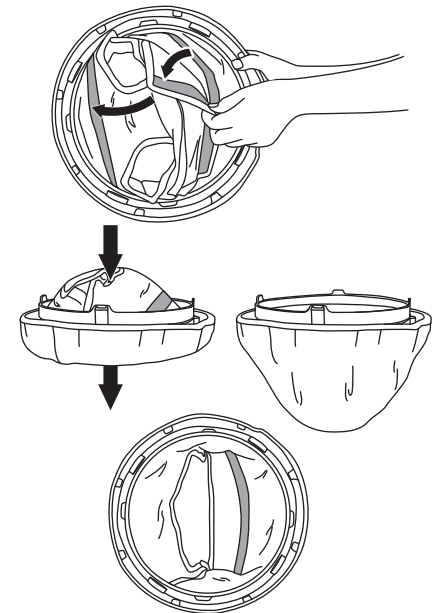


10 CHANGE THE SEAT PAD INTO A STORAGE BASKET.

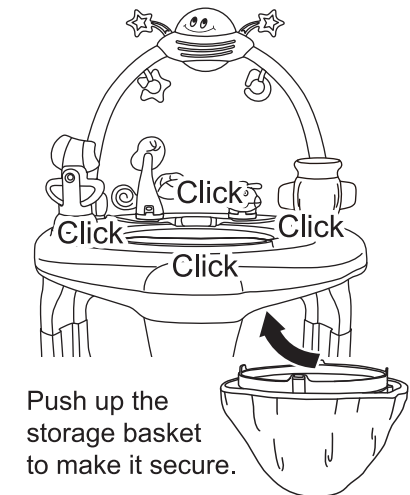
Seat frame unassembly



Stick the velcro of the mesh cloth on the seat pad bottom to the other side.



11 ASSEMBLE THE STORAGE BASKET ONTO THE UPPER TRAY FROM THE BELOW.



Push up the storage basket to make it secure.

INSTRUCTION

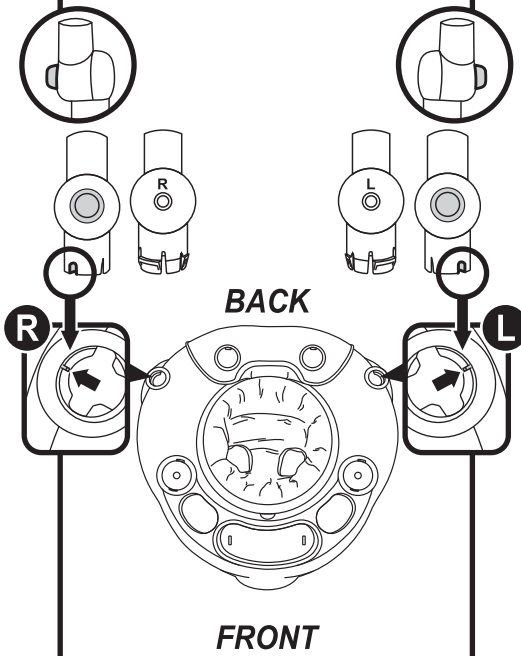
8 TOY ARCH ASSEMBLY

CAUTION:
THE JOINT PARTS SHOULD BE
INSTALLED IN POSITION
CORRECTLY. OTHERWISE,
THE TOY ARCH WON'T BE ABLE
TO FUNCTION NORMALLY.

Step 1, Joint part

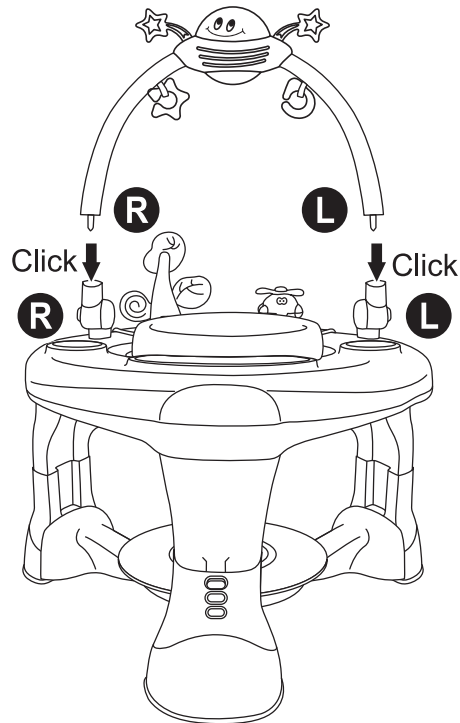
Install the
joint part
marked with
"R"
in position,
with the
button
facing
outward.

Install the
joint part
marked with
"L"
in position,
with the
button
facing
outward.



The joint part should be installed
with its slot (as circled)
aiming at the tenon
on the platform (as pointed).

Step 2, Toy arch
Insert both ends of the toy arch
into the joint parts, with its
front side facing toward you
(as shown in the picture).



NOTE:
NEVER USE THE TOY ARCH
TO CARRY THE
ACTIVITY CENTRE.

⚠ WARNING

CAUTION

- This product contains small parts. adult assembly required.
- The toy intended to be assembled by an adult.

MAINTAIN AND CLEAN

TO WASH THE FABRIC SEAT

Machine wash the fabric seat in cold water.
Use a gentle wash cycle with no bleach.
Tumble dry, using low heat.

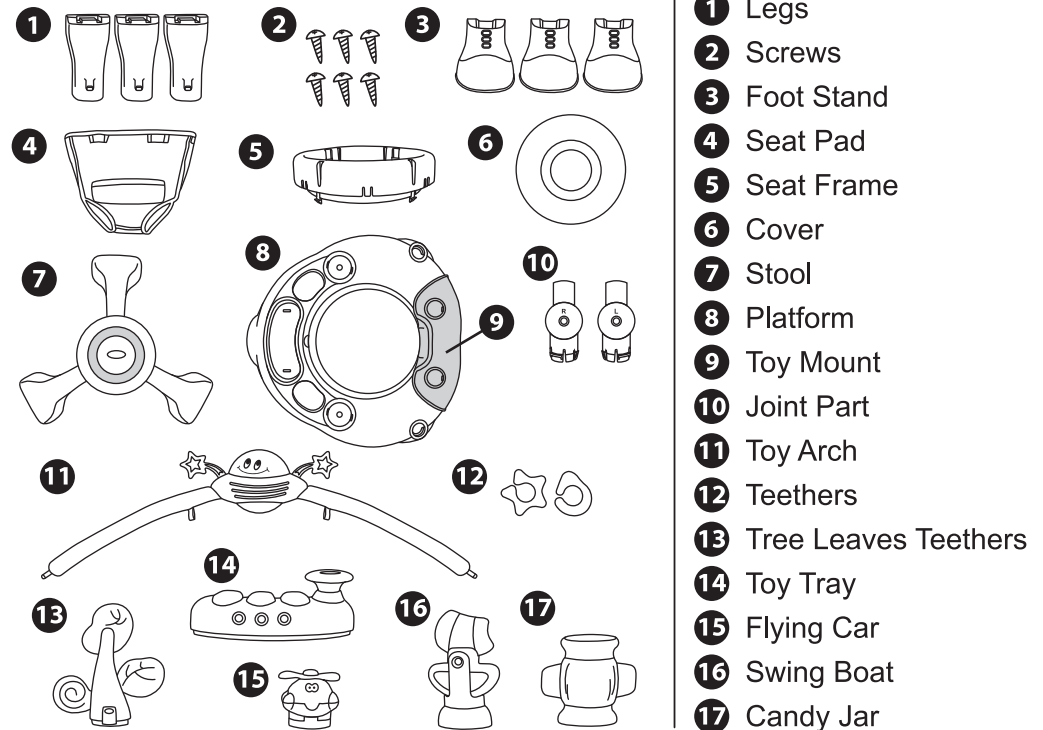
TO CLEAN THE PLASTIC PARTS

Wipe clean with damp cloth and mild soap. Air dry. DO NOT immerse in water.
Clean toys before use. NOT dishwasher safe.

PRODUCT STORAGE

1. Store the product at dry place without sun exposure.
2. Cover the product with fabric.

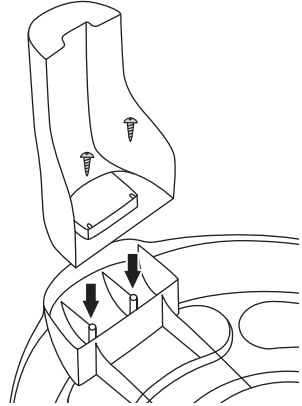
PARTS LIST



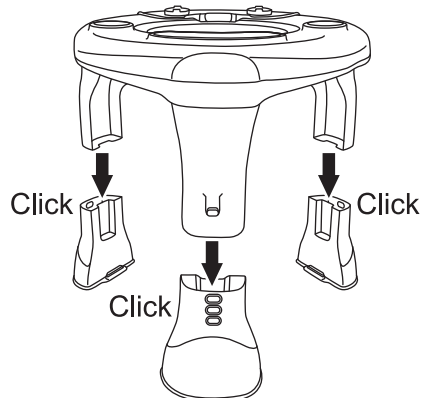
INSTRUCTION

1 ASSEMBLE THE LEGS

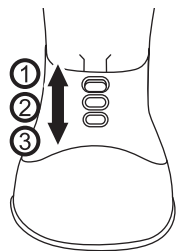
Assembly the legs to the upper tray with screws, 3 positions in total.



2 MOUNT 3 FOOT STANDS TO THE LEGS



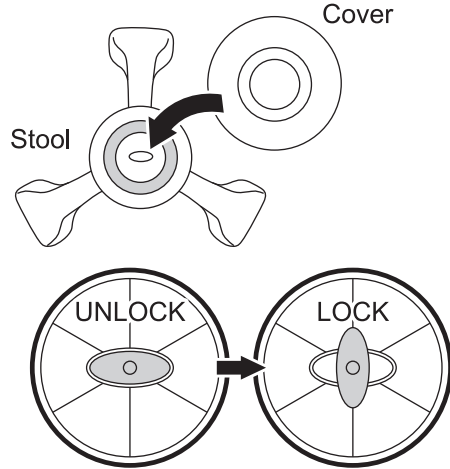
3 HEIGHT ADJUSTMENT



Use your thumb to press the button and press down until a "Click" sound. Press the button to adjust 3 section height.

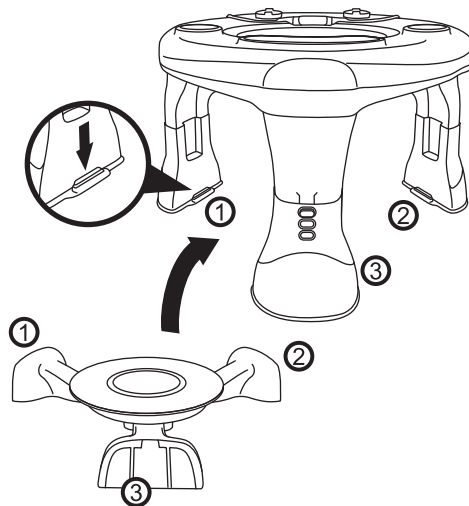
4 TO CONVERT THE STOOL INTO JUMPING SET

Put the cover on the chair top and lock it.



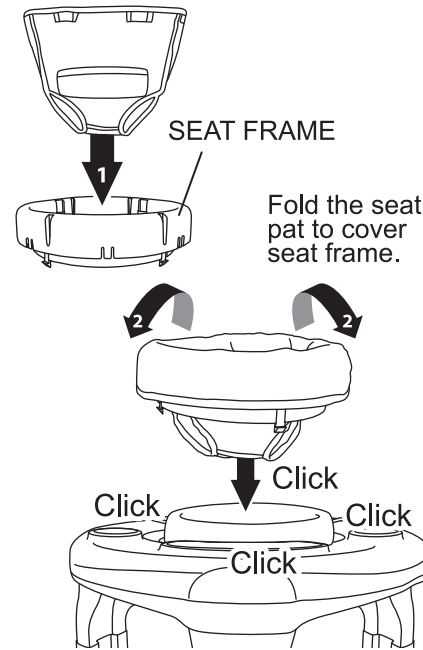
5 TO ASSEMBLE THE JUMPING SET TO THE MAIN PART.

Snap the jumping set into the grooves on the foot stand ends. 3 positions in total.

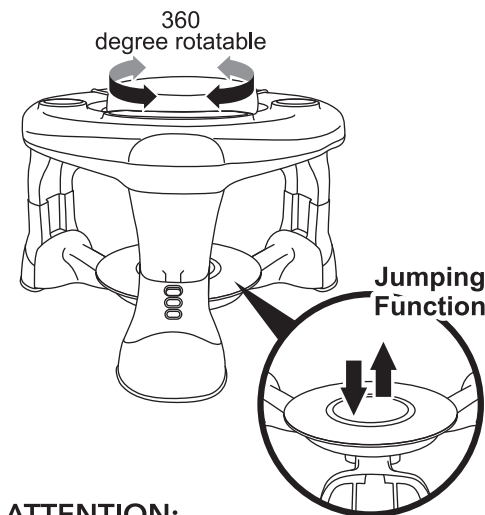


INSTRUCTION

6 SEAT UNIT ASSEMBLY



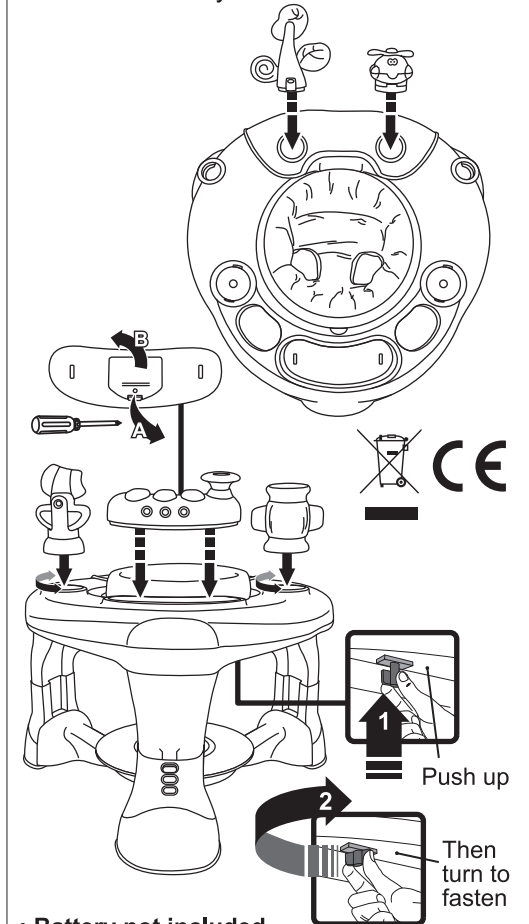
Put the seat set on the upper tray. Press until you hear "Click" sound.



ATTENTION: Children can play inside the activity centre only when the chair is converted into the jumping set.

7 TOYS ASSEMBLY

Insert the toys into the sockets.



• Battery not included
Please follow the instructions to remove and insert the batteries. Rechargeable batteries are to be removed from the toy before being charged. Rechargeable batteries are only to be charged under adult supervision. Non-rechargeable batteries are not to be recharged. Supply terminals are not to be short-circuited. Exhausted batteries are to be removed from the toy. Do not mix old and new batteries. Do not mix alkaline, standard (carbon-zinc), or rechargeable (nickel-cadmium) batteries. Batteries are to be inserted with the correct polarity. The packaging has to be kept since it contains important information. The toy can only be assembled by adult.