

BABY WALKER

IMPORTANT! READ CAREFULLY AND KEEP FOR FUTURE REFERENCE

WARNING:

PLEASE READ THESE INSTRUCTIONS CAREFULLY BEFORE USE AND RETAIN THEM IN A SAFE PLACE FOR FUTURE REFERENCE. READ ALL INSTRUCTIONS BEFORE ASSEMBLY AND USE OF THE WALKER. KEEP INSTRUCTIONS FOR FUTURE USE. THE CHILD MAY BE HURT IF YOU DO NOT FOLLOW THESE INSTRUCTIONS.



WARNING:

“ READ THE INSTRUCTIONS CAREFULLY BEFORE USE AND KEEP THEM FOR FUTURE REFERENCE. THE CHILD MAY BE HURT IF YOU DO NOT FOLLOW THESE INSTRUCTIONS.”

NEVER LEAVE THE CHILD UNATTENDED. ALWAYS KEEP CHILD IN VIEW WHILE IN WALKER.

THE CHILD WILL BE ABLE TO REACH FURTHER AND MOVE RAPIDLY WHEN IN THE BABY WALKING FRAME:

- 1) PREVENT ACCESS TO STAIRS, STEPS AND UNEVEN SURFACES;
- 2) GUARD ALL FIRES, HEATING AND COOKING APPLIANCES;
- 3) REMOVE HOT LIQUIDS, ELECTRICAL CABLES AND OTHER POTENTIAL HAZARDS FROM REACH.
- 4) PREVENT COLLISIONS WITH GLASS IN DOORS, WINDOWS AND FURNITURE;
- 5) DO NOT USE THE BABY WALKING FRAME IF ANY COMPONENTS ARE BROKEN OR MISSING;
- 6) THIS BABY WALKING FRAME SHOULD BE USED ONLY FOR SHORT PERIODS OF TIME (E.G. 20 MIN);
- 7) THIS PRODUCT IS INTENDED ONLY FOR A CHILD WHO CAN SIT UP BY ITSELF AND UNTIL IT IS ABLE TO WALK BY ITSELF OR WEIGHS MORE THAN 12 KG;
- 8) DO NOT USE ACCESSORIES OR REPLACEMENT PARTS OTHER THAN THOSE APPROVED BY THE MANUFACTURER.
- 9) USE ONLY ON FLAT SURFACES FREE OF OBJECTS THAT COULD CAUSE THE WALKER TO TIP OVER.
- 10) DO NOT USE THE PRODUCT IF ANY COMPONENTS ARE BROKEN OR MISSING.
- 11) DO NOT USE UNTIL BABY CAN SIT UP BY ITSELF.
- 12) CLEAN (FRICTION COMPONENTS) REGULARLY TO MAINTAIN STOPPING PERFORMANCE.
- 13) TO AVOID BURNS , KEEP THE CHILD AWAY FROM HOT LIQUIDS, RANGES, RADIATORS, SPACE HEATERS, FIREPLACES, ETC.
- 14) THE TOY INTENDED TO BE ASSEMBLED BY AN ADULT.



WARNING - STAIR HAZARD

AVOID SERIOUS INJURY OR DEATH BLOCK STAIRS/STEPS SECURELY BEFORE USING WALKER EVEN WHEN USING PARKING BRAKE.

- A. NON-RECHARGEABLE BATTERIES ARE NOT TO BE RECHARGED.
- B. DIFFERENT TYPES OF BATTERIES OR NEW AND USED BATTERIES ARE NOT TO BE MIXED.
- C. EXHAUSTED BATTERIES ARE TO BE REMOVED FROM THE TOY.
- D. THE SUPPLY TERMINALS ARE NOT TO BE SHORT-CIRCUITED.
- E. ONLY BATTERIES OF THE SAME OR EQUIVALENT TYPE AS RECOMMENDED ARE TO BE USED.
- F. BATTERIES ARE TO BE INSERTED WITH THE CORRECT POLARITY.
- G. HOW TO REMOVE AND INSERT REPLACEABLE BATTERIES.
- H. RECHARGEABLE BATTERIES ARE TO BE REMOVED FROM THE TOY BEFORE BEING CHARGED.
- I. IF USING RECHARGEABLE BATTERIES, THE BATTERIES ARE ONLY TO BE CHARGED UNDER ADULT SUPERVISION.

CARE AND MAINTENANCE

- 1) TO PROLONG THE LIFE OF YOUR NURSERY PRODUCT KEEP IT CLEAN AND DO NOT LEAVE IT IN THE DIRECT SUNLIGHT FOR EXTENDED PERIODS OF TIME.
- 2) REMOVABLE FABRIC COVERS AND PLASTIC PARTS MAY BE CLEANED USING WARM WATER WITH A HOUSEHOLD SOAP OR A MILD DETERGENT. ALLOW IT TO DRY FULLY, PREFERABLY AWAY FROM DIRECT SUNLIGHT.
- 3) CLEAN (FRICTION COMPONENTS) REGULARLY TO MAINTAIN STOPPING PERFORMANCE.

HELPFUL HINTS

IF THE WHEELS SQUEAK - USE A SILICON BASED SPRAY ENSURING IT PENETRATES THE WHEEL AND AXLE ASSEMBLY. DO NOT DRY CLEAN, OR USE BLEACH.

DO NOT MACHINE WASH, TUMBLE OR SPIN DRY, UNLESS THE CARE LABELLING ON THE PRODUCT PERMITS THESE METHODS.

NON REMOVABLE FABRIC COVERS AND TRIMS MAY BE CLEANED USING A DAMP SPONGE WITH SOAP OR MILD DETERGENT. ALLOW IT TO DRY COMPLETELY BEFORE FOLDING OR STORING IT AWAY.

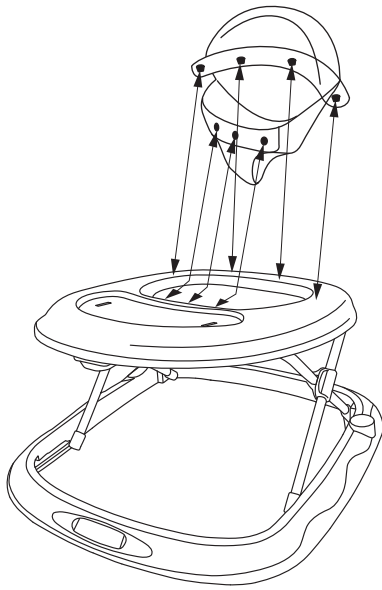
IN SOME CLIMATES THE COVERS AND TRIMS MAY BE AFFECTED BY MOULD AND MILDEW. TO HELP PREVENT THIS OCCURRING, DO NOT FOLD OR STORE THE PRODUCT IF IT IS DAMP OR WET. ALWAYS STORE THE PRODUCT IN A WELL VENTILATED AREA.

ALWAYS CHECK PARTS REGULARLY FOR TIGHTNESS OF SCREWS, NUTS AND OTHER FASTENERS - TIGHTEN IF REQUIRED. TO MAINTAIN THE SAFETY OF YOUR NURSERY PRODUCT, SEEK PROMPT REPAIRS FOR BENT, TORN, WORN OR BROKEN PARTS.

A

TO FIT UP THE SEAT

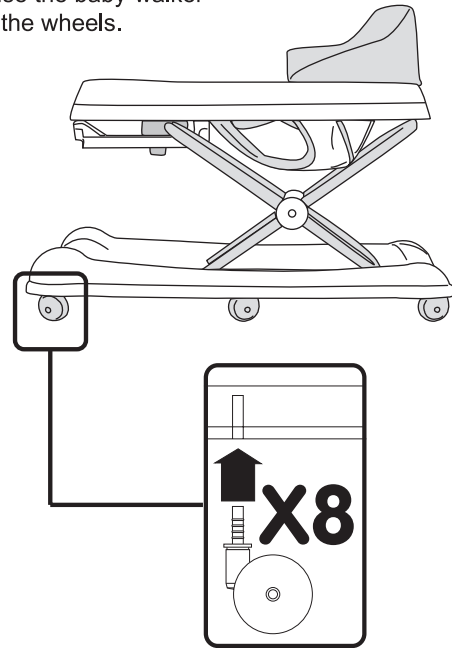
7 fixings with buttonhole.



B

FITTING OF WHEELS

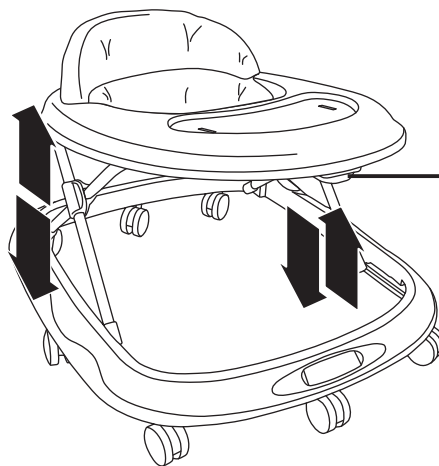
Never use the baby-walker without the wheels.



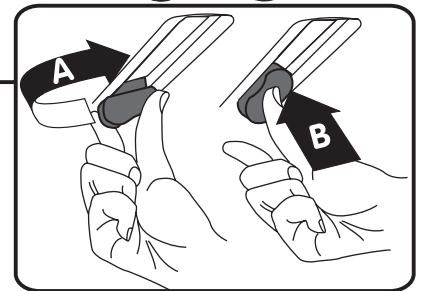
C

TO ADJUST

- 1 - To unfold the baby walker, remove the tray from the base.
- 2 - To adjust the height, turn the button then press it. The position locks automatically when you release the button.
- 3 - To fold the baby walker back down: turn the button, press it and lower the tray towards the base.



1 / 2

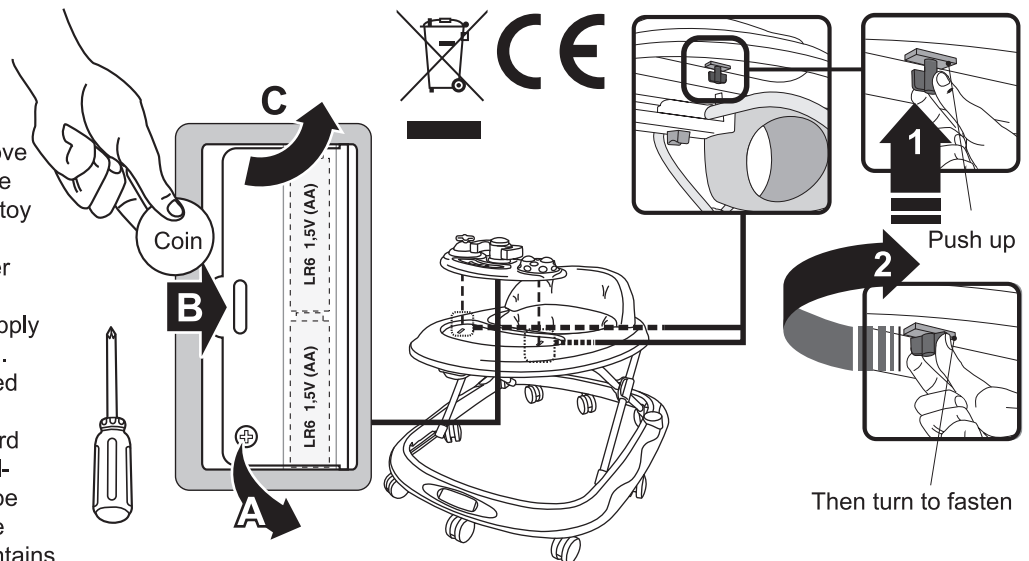


D

POSITIONING THE TOYS

• Battery not included

Please follow the instructions to remove and insert the batteries. Rechargeable batteries are to be removed from the toy before being charged. Rechargeable batteries are only to be charged under adult supervision. Non-rechargeable batteries are not to be recharged. Supply terminals are not to be short-circuited. Exhausted batteries are to be removed from the toy. Do not mix old and new batteries. Do not mix alkaline, standard (carbon-zinc), or rechargeable (nickel-cadmium) batteries. Batteries are to be inserted with the correct polarity. The packaging has to be kept since it contains important information. The toy can only be assembled by adult



Then turn to fasten

⚠ WARNING:

- NEVER LEAVE THE CHILD UNATTENDED.
- NOT SUITABLE FOR CHILDREN WHO ARE UNABLE TO SIT UP UNAIDED.
- NOT SUITABLE FOR CHILDREN ABLE TO WALK.
- NOT APPROPRIATE FOR CHILDREN WEIGHING OVER 12 KG.
- SUITABLE FOR CHILD BETWEEN 6-36 MONTHS.