

# INSTRUCTION MANUAL



## **4 in 1 UVC** STERILIZER & DRYER



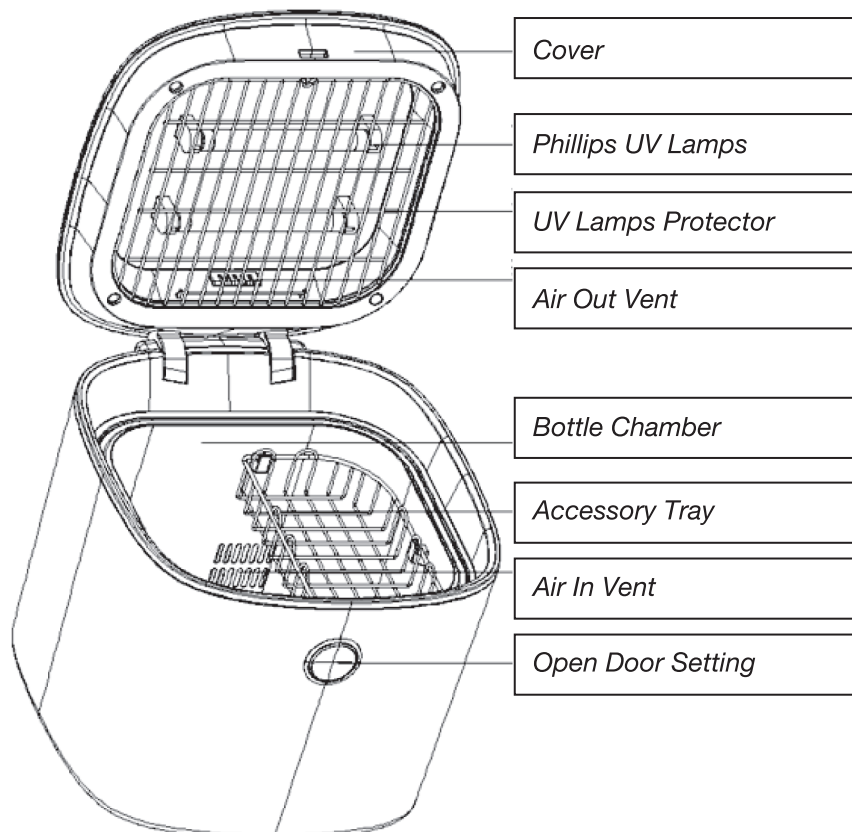
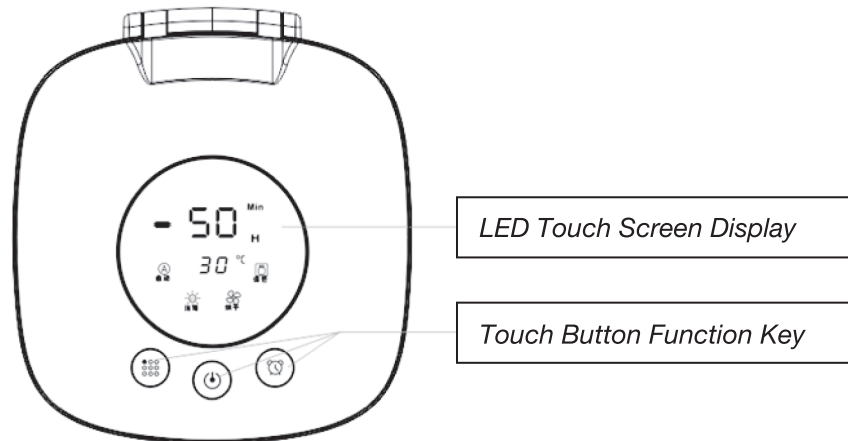
BUE2005

# INSTRUCTION MANUAL

## 4 IN 1 UVC STERILIZER & DRYER BUE2005

Thank you for purchasing BUBBLES 4 in 1 UVC Sterilizer and Dryer.  
Before operating this device, please read the instructions carefully and keep this for reference.

### **ACCESSORY**



# TECHNICAL DATA

## 4 IN 1 UVC STERILIZER & DRYER BUE2005

Product Name	4 in 1 UVC Sterilizer & Dryer	Model	BUE2005
Power	220-240V	Wattage	70W

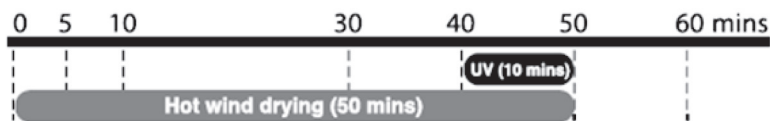
### CONTROL PANEL



1. ON/OFF	2. Working Time Setting	3. Menu Key	4. Sterilize Light
5. Drying Light	6. AUTO Function Light	7. Storage Light	8. Celsius Icon
9. Temperature	10. Hour Symbol	11. Working Time	12. Minutes
13. Warning Light	14. Decoration Light		

### FUNCTION MODE

- **AUTO mode:** Total working time is 10mins for sterilizing function and 50mins for drying function, unit will automatically turn to storage mode.



- **STERILIZING mode:** default working time is 10mins, adjustable working time is 5mins/10mins by pressing Time setting, and it will turn to storage function automatically after its set operation.
- **DRYING mode:** default working time is 40mins, adjustable by 30mins/40mins/50mins/60mins by pressing the Time setting, it will turn to storage function automatically after its set operation.
- **STORAGE mode:** keeps all object in sterile condition for up to 72 hours, the UV lamps will turn on automatically for 1min every after two hours.

# OPERATING INSTRUCTIONS

## 4 IN 1 UVC STERILIZER & DRYER BUE2005

### ➤ **BEFORE first use**

1. Open the cover of UV sterilizer, assemble all the trays in place.
2. Put the washed bottles, nipples, teether, spoon and bowl, **shake off excess water**, place properly into the accessory tray.
3. Close the cover. Press the button to choose desired mode to use on the control panel.

### ➤ **NOTES**

1. **Auto function** : Press the power icon, choose AUTO mode, the LED display will show default working time of 50mins. The first 40mins for drying function, the remaining 10mins will simultaneously drying and sterilizing function. You can add working time from 30/40/50/60 mins by pressing Time setting key. You will hear voice prompt when finished and turn to storage mode automatically.
2. **Sterilize function** : Press the power icon, choose sterilize mode, the LED display will show default working time of 10mins. You can adjust sterilizing time to 5/10mins by pressing Time setting key, LED display will show the time during the process. You will hear voice prompt when finished and turn to storage mode automatically.
3. **Drying function** : Press the power icon, choose drying mode, the LED display will show default working time 40mins, you can adjust sterilizing time to 30/40/50/60mins by press Time setting key, LED display will show the time during the process, you will hear voice prompt when finished and turn to storage mode automatically.
4. **Storage function** : Press the power icon, choose storage mode, the LED display will show default working time of 72hours, and LED display will show the time during the process. UV lamp will automatically sterilize the items for 1min every after two hours to keep items in sterile condition, it will turn off automatically after the process, you will hear voice prompt when finished and turn to storage mode.

**The Auto, Sterilize and Dry mode will turn to  
Storage mode automatically after its set operation.**


- During the working process, if the cover is opened, the LED display will show E3, the night light will turn on and you will hear a sound warning, the operation will stop temporarily. The warning sound will stop if the cover is closed properly within 5 minutes and the operation will resume automatically. If the cover is opened for longer than 5 minutes, the night light will turn off and the appliance will be in sleeping mode.



# INSTRUCTION MANUAL

## 4 IN 1 UVC STERILIZER & DRYER BUE2005

### COMMON ERRORS

No	Code	Description
1		<i>UV lamp problem</i>
2	<i>E1</i>	<i>Temperature sensor problem</i>
3	<i>E2</i>	<i>Fan problem</i>
4	<i>E3</i>	<i>Open cover problem</i>
5	<i>E4</i>	<i>PTC problem</i>

### CLEANING & MAINTENANCE

It is simple to maintain this appliance. Always remember to keep the inside surface thoroughly cleaned after each use.

1. Before cleaning, make sure to stop the operation, remove from power outlet and wear gloves.
2. The inside surface of the UV sterilizer should only be wiped with a clean microfiber towel using a warm distilled water in order to prevent any scratches to the highly polished stainless steel. For stubborn watermarks, try leaving the warm wet microfiber towel on the spot for a longer period of time, it should wipe off easily afterwards.
3. Wipe off moisture with dry cloth.

### WARNING

- Do not pour water upon cleaning.
- The unit should never come in contact with any cleaning detergents other than water. It will cause irreversible and cumulative damage to the inside surface of the sterilizer.

### IMPORTANT

**Direct and overexposure to UV light can cause permanent eye damage. The unit is built with UV rated material and safety mechanism to prevent exposure to ultraviolet radiation. The instructions below should be carefully followed to avoid hazard and health risk.**

- Cover should always remain closed during operation.
- Always stop the full operation on the control panel before opening the cover.
- Always unplug from outlet when not in use, maintain cleaning and replacing lamp bulbs. Always power off the appliance before unplugging.
- Do not operate this appliance if the cord or plug is damaged or come in contact with water.
- Do not operate this appliance if it has malfunctioned or has been damaged in any manner, or fell into water.
- Do not let cord hang over an edge, a table or a counter, or touch heated surfaces.
- Never use the cord as a handle, pinch or pull the cord around sharp edges or corners. Do not run equipment over the cord.



# INSTRUCTION MANUAL

---

## 4 IN 1 UVC STERILIZER & DRYER BUE2005

- To disconnect, hold the plug and pull it from the wall outlet. Never yank on the cord.
- Do not handle the plug or the appliance with wet hands.
- To protect against electrical shock do not immerse the cord and plug or any appliance in water or other liquid. Do not place or store the product near where it can fall or be pulled into a tub or sink.
- This appliance is not intended for use by children or persons with reduced physical, sensory, mental capabilities, or lack of experience and knowledge unless they have been supervised or instructed to use of the appliance by a person who is responsible for their safety. Close supervision is necessary when the appliance is operating near these people.
- Keep this appliance out of reach of children. Children should be supervised to ensure that they do not play with the appliance.
- Do not use the appliance for purposes other than its intended use.
- Never use any accessories or parts from other manufacturers that are not specifically recommended for this appliance. In such case, this appliance's warranty will be void.
- **FOR HOUSEHOLD USE ONLY. DO NOT USE OUTDOORS.**
- Do not attempt to open, service, or repair the sterilizer by yourself. All servicing should be performed by an authorized service representative. Failure to observe this requirement shall void any warranty, stated or implied.
- Always place the appliance on a level, firm and stable surface.
- Never move, tilt, or open the appliance cover when in use. Always power off and unplug the unit before moving it.
- Never place any items on top of the appliance.
- Only sanitize products that have been approved for sterilization and can withstand a moderate level of UV light exposure.
- Never insert any object into the vent, holes, or any opening.
- Do not use chlorine or harsh chemicals to clean the appliance, as it may cause potentially cause damage to the unit.
- A minimum space of five inches should be maintained between the back of the appliance and the wall to ensure proper air vent circulation.
- Always wipe off the dry water spots after each use on the interior space. Dry water spots can hinder the performance of the UV lights and cause damage to the stainless-steel interior.
- Wash and rinse the air filter as recommended to ensure air filtration quality for the appliance.
- Do not overload the products inside the appliance. Always leave sufficient space between objects to ensure good exposure to UV light during operation.
- Do not reach for an appliance that has fallen into the water. Unplug the appliance from the outlet immediately.
- Do not place the appliance near any heating source such as a stove, oven or heater, or expose to direct sunlight.
- Do not operate the appliance in an area where an aerosol product is being used or oxygen is being administered.
- If you suspect a gas leak in the area, unplug and ventilate the appliance immediately.



*Powered by*



**Bubbles**

**GRATO MARKETING SDN BHD**

(977624-M)

[www.grato.com.my](http://www.grato.com.my)