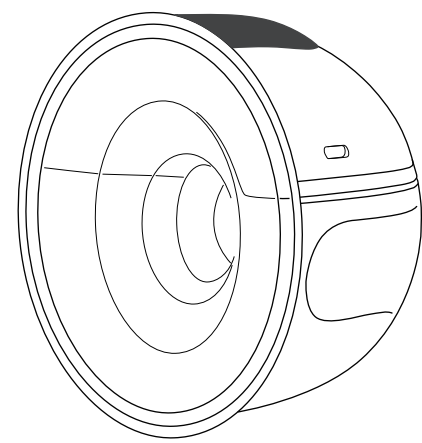




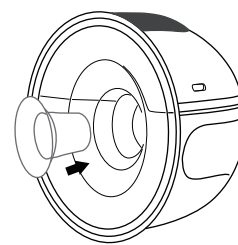
# WEARABLE ELECTRIC BREAST PUMP



BUB0026

## 1. Features

- Three modes:**  
Massage & Stimulation & Expression . 9 levels Adjustable.
- Handsfree**  
Wear under your bra and keep both hands free.
- Anti-backflow Function:**  
The professional backflow protection system prevents the milk from getting into the Pump motor, and keeps the milk clean.
- Auto shut off in 30 minutes**
- Additional funnel insert can be used for the different size of the nipple**  
( This is spare parts, you can use it or not to use it)

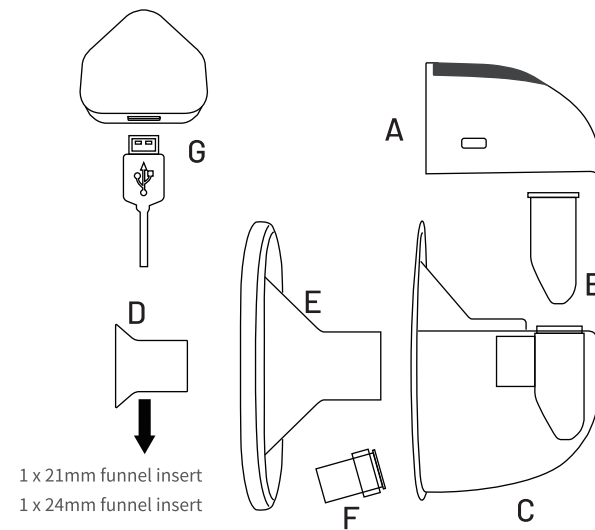


Choose funnel insert according to your nipple size, then push the funnel insert into the breast shield.

## 2.Specifications

Level	9	Max suction	≥320mmHg
Usage time	≤30 minutes/time	Working condition	5-40°C RH-80%
Adapter output	5V =1A		

## 3.Component parts

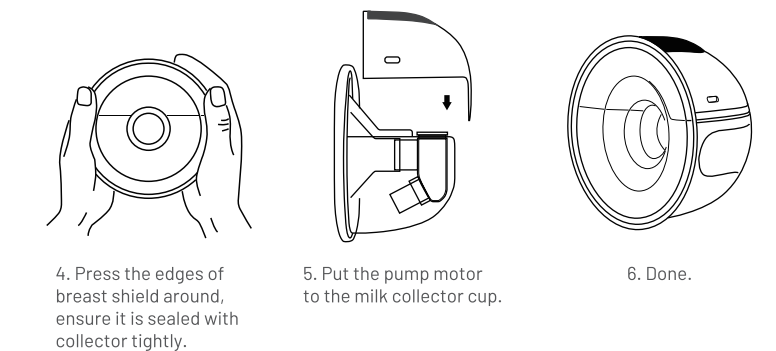
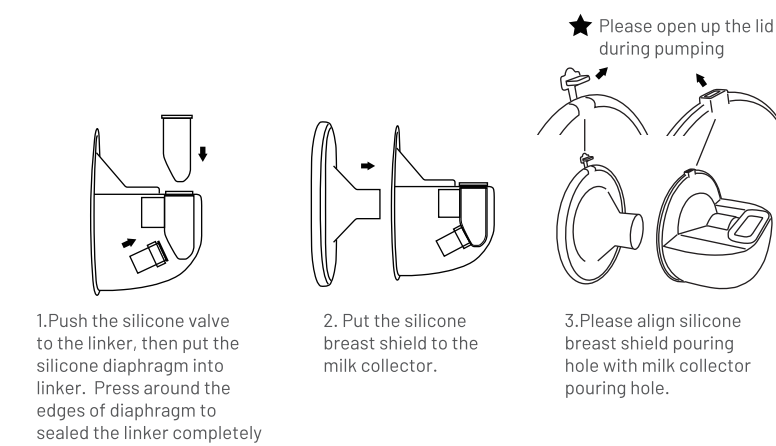


1 x 21mm funnel insert  
1 x 24mm funnel insert

No.	Item	Material	Heat-resisting temperature
A	Pump motor	/	/
B	Silicone Diaphragm	Silicone	120°C
C	Milk collector	PP	120°C
D	Funnel insert	Silicone	120°C
E	Silicone breast shield	Silicone	120°C
F	Silicone Valve	Silicone	120°C
G	USB Cable & Plug	/	/

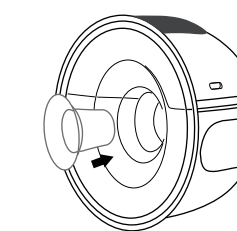
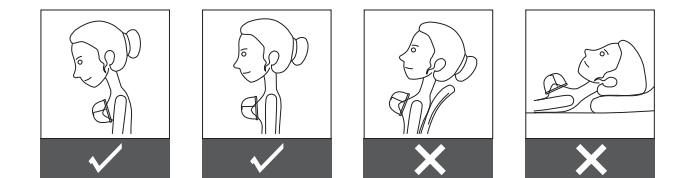
## 4.Assembly

Pay attention:  
Before assembly, please make sure all parts are dry



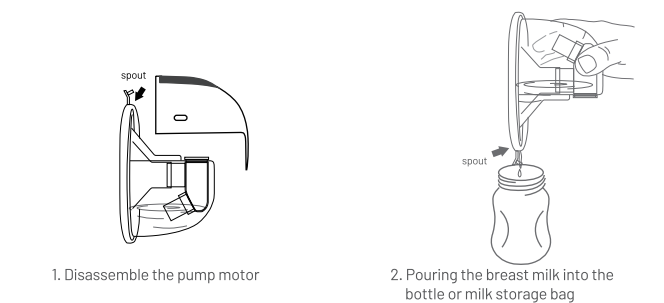
## 4.Assembly

Refer to picture below for what is the right position to put your wearable breast pump



Choose funnel insert according to your nipple size, then push the funnel insert into the breast shield.  
( This is spare parts, you can use it or not to use it)

## 5. Ready to pour



## 6. Operational instructions



Level display: 1-9  
∞ Massage  
∞ Stimulation  
∞ Expression

### • Pump motor Description

- Mode switch button
- Message mode
- Stimulation mode message and expression at the same time
- Expression mode
- On/Off Hold 2 Seconds
- Level up button (Maximum level 9)
- Level down button (Minimum level 1)

## 7. Usage method

- Preparation:**
  - Please make sure the product is fully charged before using.
  - Please take about 180 minutes to get the fully charge while the pump is low power.
  - Adapter output Requires :5V = 1A
  - Please make sure your mammary gland is not blocked and massage your breast with a hot towel;
  - Please clean the breast and nipples;
  - Please massage it gently before pumping.

## 7. Usage method

- Operation**
  - Assemble the breast pump correctly.
  - Wear it in nursing bra.
  - Let the breast shield press to your breast closely, and the nipple in the center of funnel.
  - Press to turn on, the breast pump enter to massage mode first, and it will automatically switch to expression after 2 minutes.
  - When the milk going to flow, please switch to expression mode or stimulate mode by press .
  - After finish pumping, please press for 2 seconds for power off.

## 8.Trouble shooting

- Any problems please take the following solution.**

problem	reason	solution
Weak suction	1. Component got wet.	1. Dry out all parts.
	2. Accessories did not connect well.	2. Check all the connection parts and reassemble them.
	3. The battery is lower power.	3. Please charge the breast pump for 180 minutes.
	4. There are cracks on the breast shield, or the breast shield spout did not aligned to milk collector spout, or the milk collector did not sealed with breast shield tightly.	4. Remove the breast shield and reassemble it, ensure the spout are aligned and sealed closely.
	5. The breast shield did not press to the breast closely.	5. make sure snug to the breast.

## 8.Trouble shooting

problem	reason	solution
No suction	1. No valve, or the valve damaged.	1&2. Reassemble or replace a new one. 3. Make sure the silicone diaphragm sealed with linker completely
	2. No Diaphragm, or the Diaphragm damaged.	
	3. The silicone diaphragm did not sealed well with linker	
Cann ot switch on	1. The battery ran out of power.	1. Please take about 180 minutes to get the fully charge.

## 9. Disinfection

<b>Steam</b> Choose steam bottle sterilizer to disinfect, thoroughly safe, avoiding the deformation of the accessories.	
<b>Microwave</b> Please put the spare parts into water container then into the microwave, and read the microwave instructions book	
<b>Boiling</b> Put the parts into water and boil for 5 minutes and take them out	
<b>Do not use dry heater, or dryer to disinfect: Do not put in dishwasher to clean it.</b>	

- Note:** (The Pump motor can not be washed or disinfection)  
Dry them in the air thoroughly after disinfection. When using the disinfection equipment, be sure to follow the manufacturer's instructions.

## WARRANTY CARD

WEARABLE ELECTRIC BREAST PUMP



Grato Marketing Sdn Bhd (977624-M)  
C-0-3A, Pusat Perdagangan Kuchai,  
No 2, Jalan 1/127, Off Jalan Kuchai Lama,  
58200 Kuala Lumpur.  
Tel: 03-7971 6701  
Website: www.grato.com.my

Limited Warranty Period : **1 year**

Product Name : **L9 Wearable Electric Breast Pump**

Customer Name : \_\_\_\_\_

Retailer Chop Sign : \_\_\_\_\_ Date of Purchase : \_\_\_\_\_

Customer Copy

### Warranty Terms & Conditions:

Thank you for purchasing our product. For a period of 1 year from original purchase of this product, Grato Marketing Sdn Bhd warrants this product against manufacturing defects. At Grato Marketing Sdn Bhd's option, the company may repair or replace any product that is determined to be defective by the company and determined to be covered by this warranty period subjected to the terms and conditions listed below :

- The warranty is applicable for product purchased through authorized seller only.
- This warranty card is non-transferable.
- The warranty is only cover against manufacturing defects. The warranty applies to defect which occur under conditions of normal usage within the warranty period. It does not extend beyond defect arising from abuse, faulty care or maintenance.
- The warranty does not cover negligent utilization, mishandling, or tampering of the product by the customer. Company will also not be responsible for damage of product through courier or transport handling.
- The warranty does not cover component parts which require replacement in the ordinary course of use due to normal wear and tear by reason of their characteristics, including accessories.
- The warranty does not cover unauthorized change, modification or extend the terms of these warranties in any manner.
- Warranty is valid from the date of purchase and period as stated.

GRATO MARKETING SDN BHD  
977624-M  
www.grato.com.my