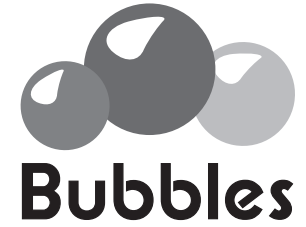
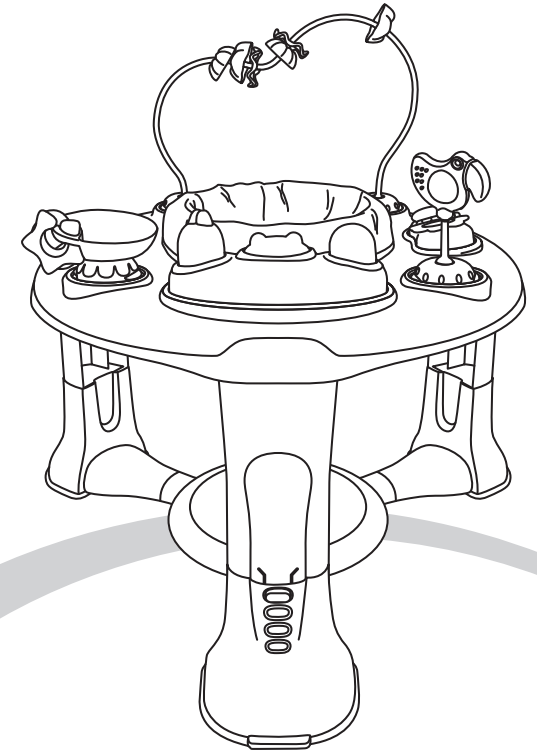
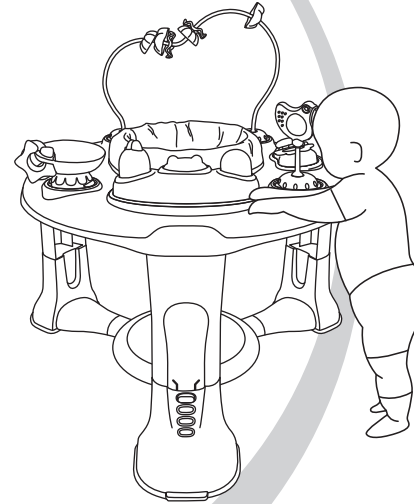


INSTRUCTION MANUAL

Mini Spin & Jump Activity Center



MADE IN TAIWAN



IMPORTANT!
KEEP FOR FUTURE REFERENCE

MADE IN TAIWAN

⚠️ WARNING

TO PREVENT SERIOUS INJURY OR DEATH:

Read all instructions before assembly and use of the stationary activity center.
Keep instructions for future use.

DO NOT use the stationary activity center if it is damaged or broken.

- Use the activity center only if the child meets all of the following conditions:
 - is at least four(4) months of age
 - can sit up by him or herself
 - is less than 30" tall (76.2cm)
 - weighs less than 25 lbs. (11kg)
 - Discontinue to use this activity center when the child begins to walk unassisted.
- DO NOT use the activity center in dangerous conditions or situations:
- NEVER move the unit while the child is in the seat.
- It can be dangerous to allow other children to play near the activity center.
- DO NOT add any strings or straps to any part of the activity center.
- DO NOT use any hardware other than that supplied.
- Only use with the jump platform attached.

FALL HAZARD!

Babies can **FALL** from product resulting in head injuries.

- NEVER leave child unattended. ALWAYS keep child in view while in product (or product description).
- NEVER use near stairs.
- To avoid tip over, place product on a flat, level surface.

STRANGULATION HAZARD!

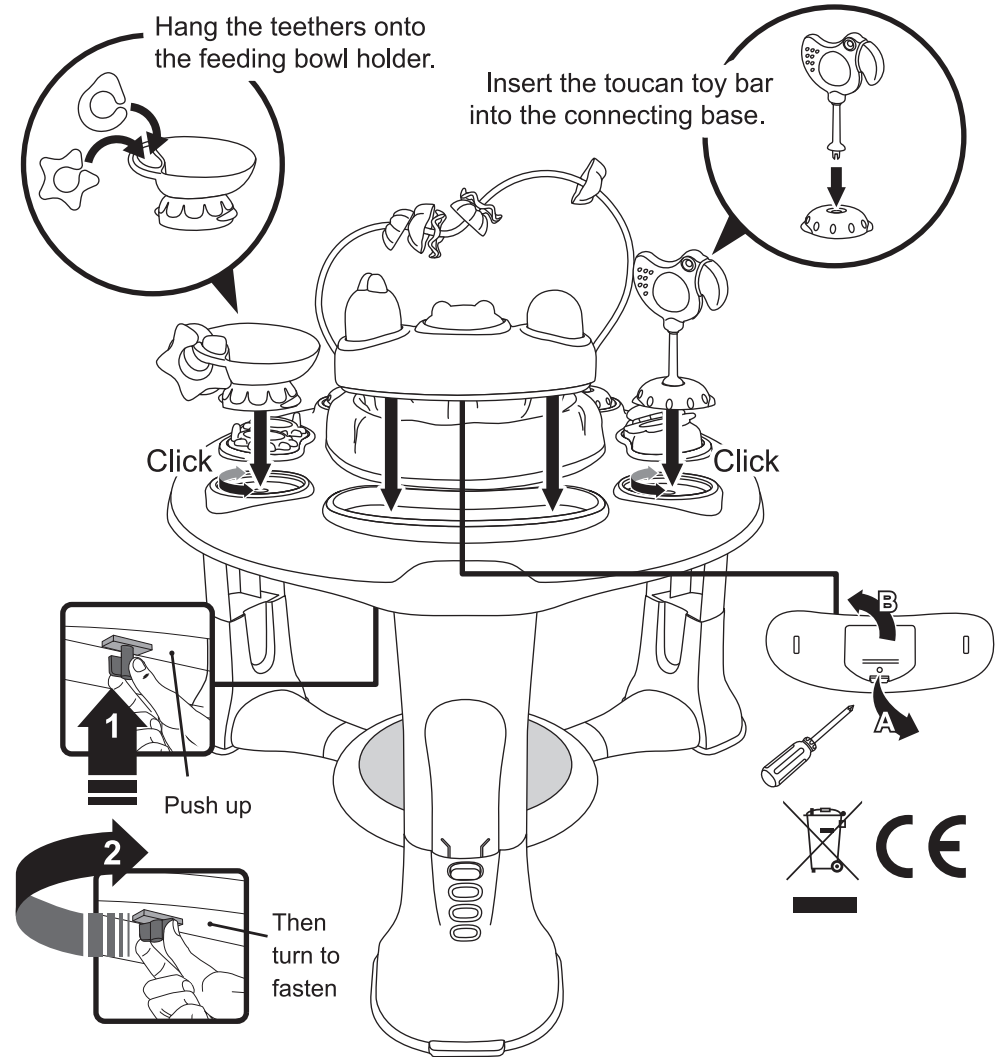
Strings can cause **STRANGULATION**.

- DO NOT place items with a string around child's neck, such as hood strings or pacifier cords.
- DO NOT suspend strings over product or attach strings to toys.

IMPORTANT

- Care should be taken in unpacking and assembly.
- Examine product frequently for damaged, missing, or loose parts.
- Read all instructions before assembly and use of the stationary activity center.
- Keep instructions for future use.
- DO NOT use the stationary activity center if it is damaged or broken.

INSTRUCTION



• Battery not included

Please follow the instructions to remove and insert the batteries.

Rechargeable batteries are to be removed from the toy before being charged.

Rechargeable batteries are only to be charged under adult supervision.

Non-rechargeable batteries are not to be recharged.

Supply terminals are not to be short-circuited.

Exhausted batteries are to be removed from the toy.

Do not mix old and new batteries. Do not mix alkaline, standard (carbon-zinc), or rechargeable (nickel-cadmium) batteries. Batteries are to be inserted with the correct polarity.

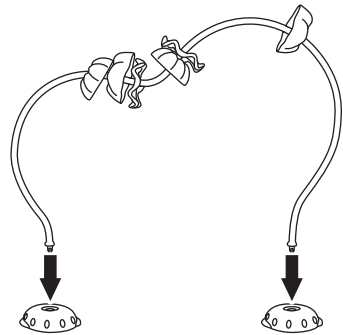
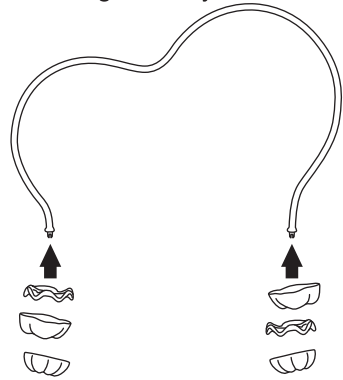
The packaging has to be kept since it contains important information.

The toy can only be assembled by adult.

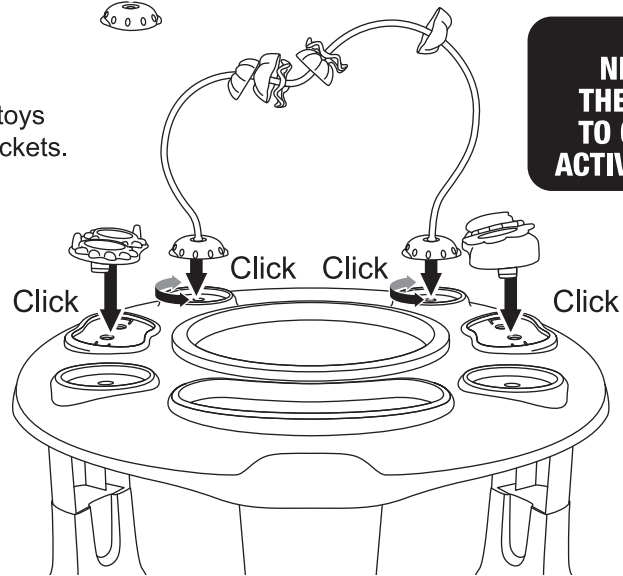
INSTRUCTION

7 TOYS ASSEMBLY

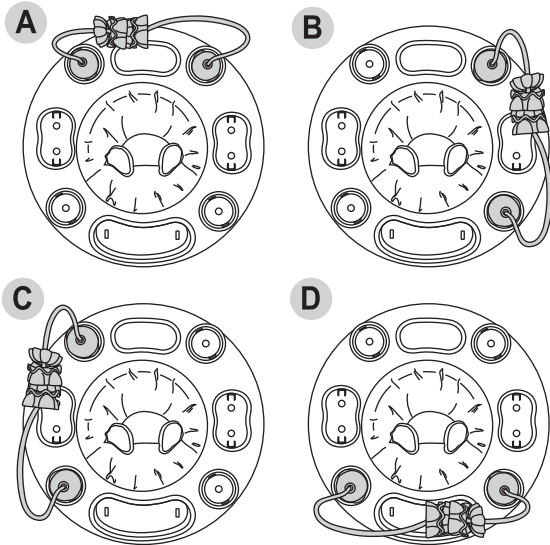
- Put the toy rings through the toy arch.



- Insert the toys into the sockets.



There're 4 ways to place the toy arch sets. Rotating the connecting base for fixing or detaching.



NOTE:
NEVER USE THE TOY ARCH TO CARRY THE ACTIVITY CENTER.

⚠ WARNING

CAUTION

- This product contains small parts. adult assembly required.
- The toy intended to be assembled by an adult.

MAINTAIN AND CLEAN

TO WASH THE FABRIC SEAT

Machine wash the fabric seat in cold water. Use a gentle wash cycle with no bleach. Tumble dry, using low heat.

TO CLEAN THE PLASTIC PARTS

Wipe clean with damp cloth and mild soap. Air dry. DO NOT immerse in water. Clean toys before use. NOT dishwasher safe.

PRODUCT STORAGE

- Store the product at dry place without sun exposure.
- Cover the product with fabric.

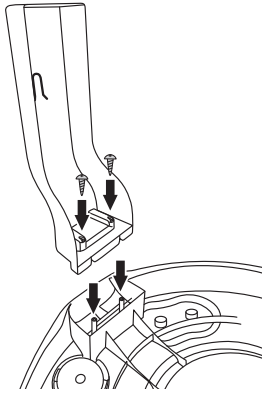
PARTS LIST

1	2	3	4	1	Legs
5	6	7	8	2	Screws
9	10	11	12	3	Foot Stand
13	14	15	16	4	Seat Pad
17	18	19		5	Seat Frame
				6	Platform
				7	Toy Tray
				8	Toy Gear Set
				9	Flip Pages
				10	Feeding Bowl
				11	Teethers
				12	Toucan Toy Bar
				13	Connecting Base
				14	Toy Arch
				15	Toy Rings-type A
				16	Toy Rings-type B
				17	Toy Rings-type C
				18	Jumping Board
				19	Legs For Connecting With Jumping Board

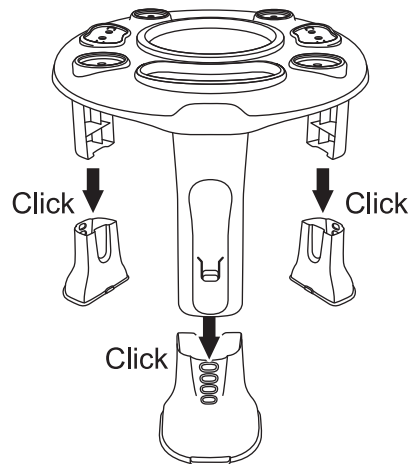
INSTRUCTION

1 ASSEMBLE THE LEGS

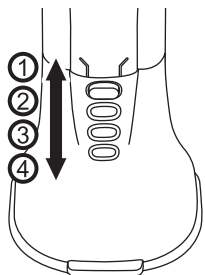
Assemble the legs to the upper tray with screws, 3 positions in total.



2 MOUNT 3 FOOT STANDS TO THE LEGS

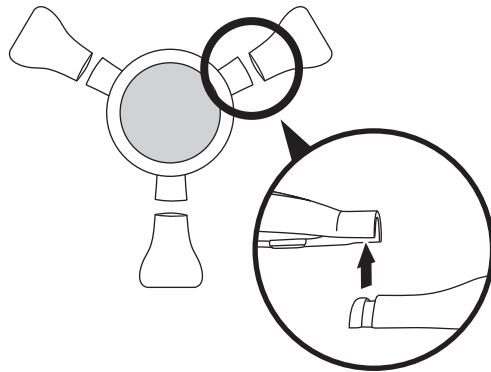


3 HEIGHT ADJUSTMENT



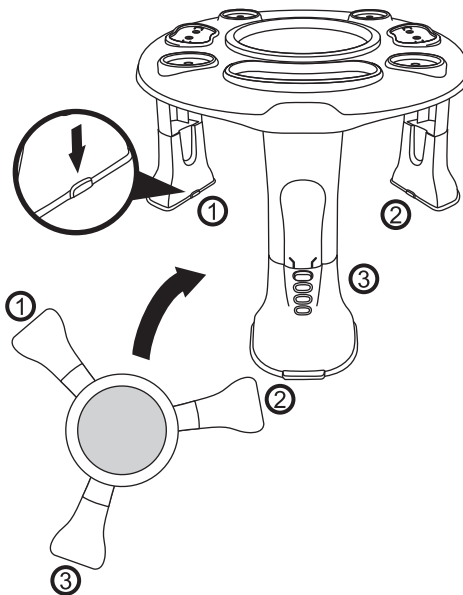
Use your thumb to press the button and press down until a "Click" sound. Press the button to adjust 4 section height.

4 ASSEMBLE THE JUMPING BOARD



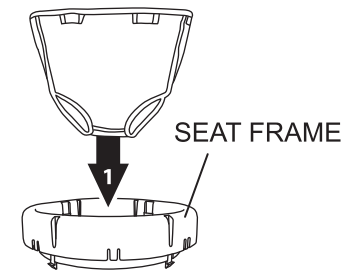
5 TO ASSEMBLE THE JUMPING SET TO THE MAIN PART.

Snap the jumping set into the grooves on the foot stand ends. 3 positions in total.



INSTRUCTION

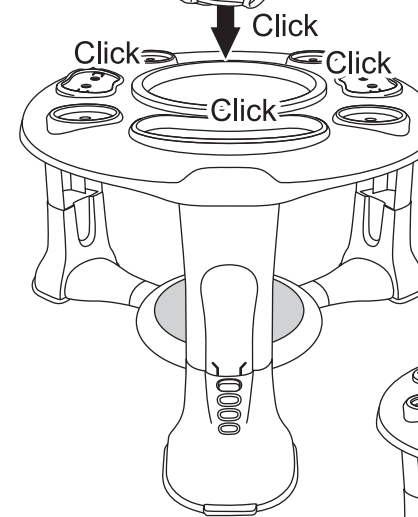
6 SEAT UNIT ASSEMBLY



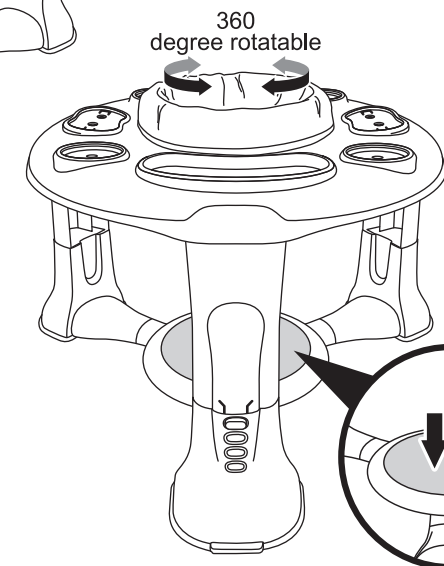
SEAT FRAME



Fold the seat pad to cover seat frame.



Put the seat set on the upper tray. Press until you hear "Click" sound.



360 degree rotatable

Jumping Function